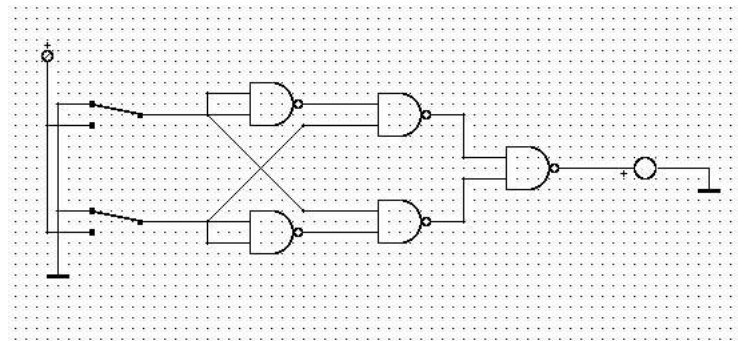


Due: Thursday, November 6, 2003

1. (10 points) Question 3.8, page 96, Murdocca & Heuring
2. (10 points) Question 3.9, page 96, Murdocca & Heuring
3. (20 points) Read the instructions on how to run the DigSim digital simulator on the course web page:

<http://www.csee.umbc.edu/~chang/cs313.f03/digsim-info.shtml>

Using DigSim, wire up the following circuit diagram, play with the switches, create a text box with your name, and save the circuit diagram. (This is the same as the circuit we used in the in-class lab.)



The file which has your circuit diagram should be a plain text file that starts with something like:

```
# Digsim file
version 1 0
describe component TwoNandPort
pos 23 13
```

Use a text editor to look at the file and make sure that the file is not empty and has some data similar to the above. Next, use DigSim to load the file and make sure that this still works. If all is well, submit the circuit file using the Unix `submit` command as in previous assignments. The submission name for this assignment is: `digsim0`. The UNIX command to do this should look something like:

```
submit cs313_0101 digsim0 xor.sim
```